



- 3A / 5A/10A of general purpose relay
- DPDT and 3PDT and 4PDT contact arrangement
- Bifurcated contact: To increase contact reliability
- Flag indicator: Shows relay status or power condition
- L.E.D. status lamp: Shows coil "on" or "off" status.
- Push button: Allows for manual operation of relay without the need for coil power.
- Cover adapters: Din rail flange adapter or top/bottom flange adapter, allows the BMY5 relay to be direct mounted to a din rail or panel
- TUV R 50048641 0001

⇒ Contact rating

		BMY5-2C3/4C1	BMY5-2C1/4C1	BMY5-2C5/4C5	BMY5-2C10/3C10
Contact capacity resistive load (cos. =1)		3A , 28VDC	3A , 28VDC	5A, 28VDC	8A,28VDC
		3A , 240VAC	3A , 240VAC	5A, 240VAC	10A,120VAC
Motor	120VAC	1/16HP	1/10HP	1/10HP	1/3HP
	240VAC		1/10HP		1/2HP
Contact capacity inductive load (cos. =0.4, L/R=7ms)		1A, 240VAC	1A, 240VAC	2A, 240VAC	5A, 240VAC
		1.5A, 24VDC	1.5A, 24VDC	2A, 24VDC	5A, 24VDC

⇒ Coil rating

Rated voltage (V)		Coil resistance ()	Max. pull-in voltage	Min. dropout voltage	Max. allowable voltage	Power consumption	
		±10% at 25	% of rated voltage at 25				
DC	2C 3C 4C	6	40	75Max.	10Min.	110Max.	Approx 0.9W
		12	160				
		24	650				
		48	2600				
		110	11000				

⇒ Coil rating

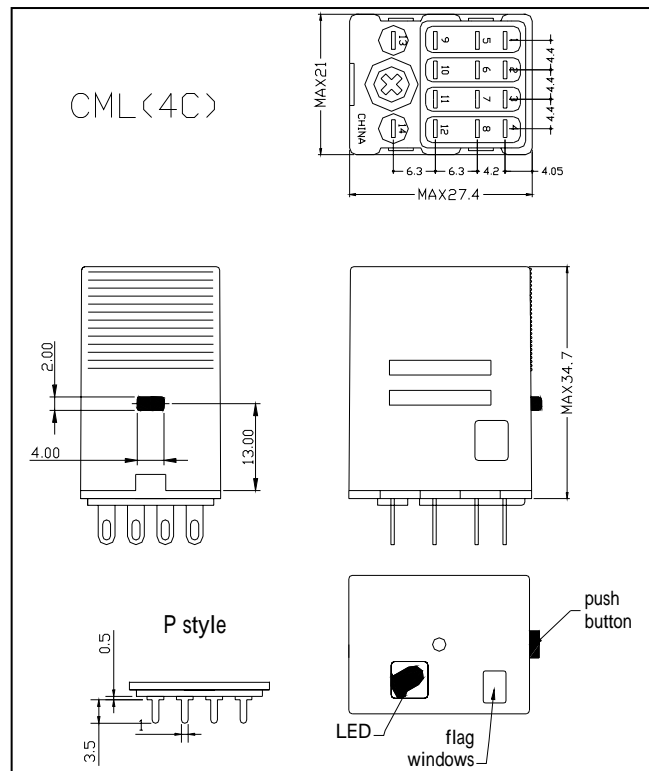
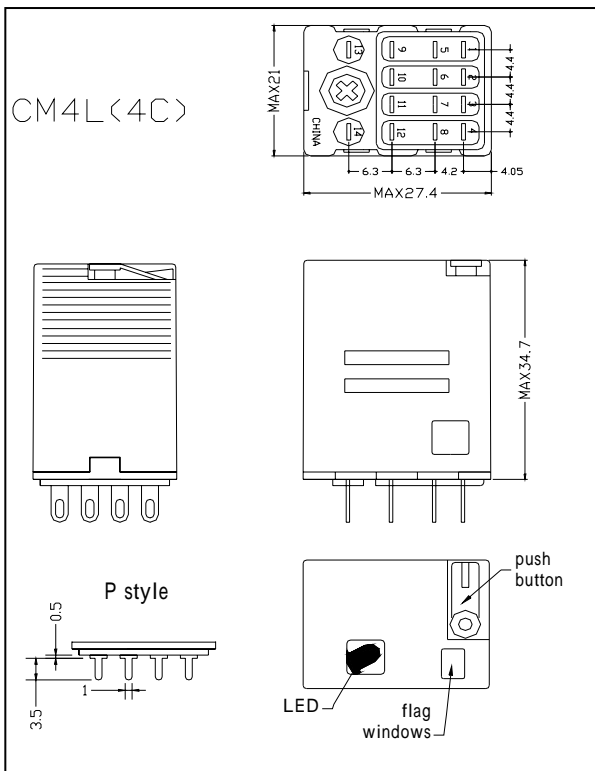
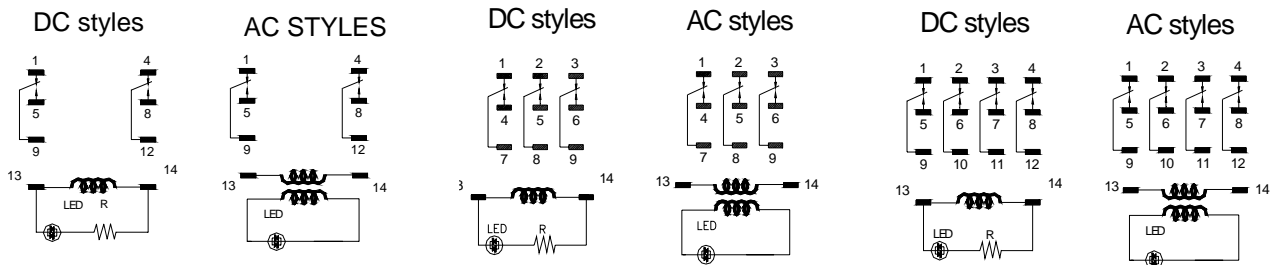
Rated voltage (V)		Coil resistance ()	Max. pull-in voltage	Min. dropout voltage	Max. allowable voltage	Power consumption	
		±10% at 25	% of rated voltage at 25				
AC	2C 3C 4C	6	9.5	80Max.	30Min.	110Max.	Approx. 1.2VA
		12	46				
		24	180				
		48	770				
		110	3830				
		120	4430				
		220/230	15000				
		240	15720				

⇒ Specifications

Contact resistance	50m Maximum
Operate time	20mS Maximum
Release time	15mS Maximum
Insulation resistance	500M Minimum at 500VDC
Dielectric strength	Between open contact: 1500VAC for 1 minute
	Between contact and coil: 1500VAC for 1 minute
	Between live parts and ground: 1500VAC for 1 minute

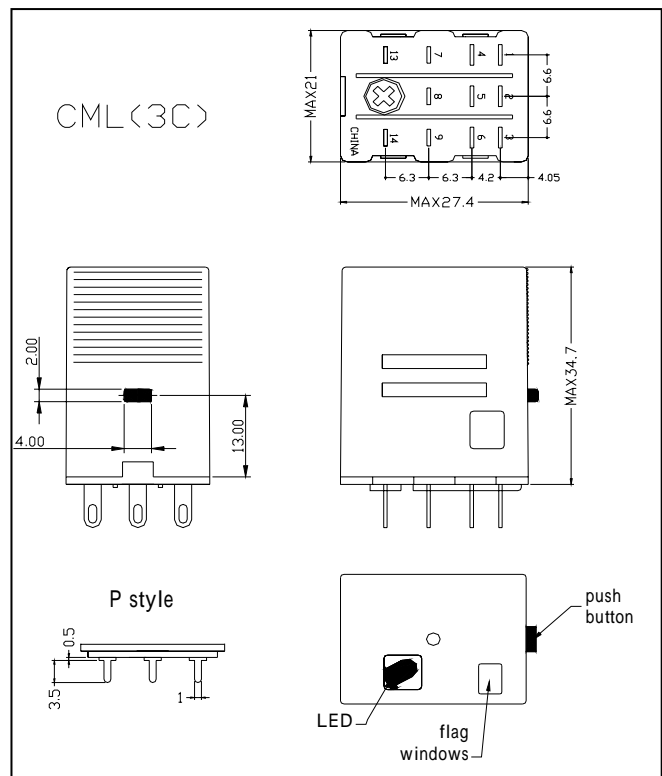
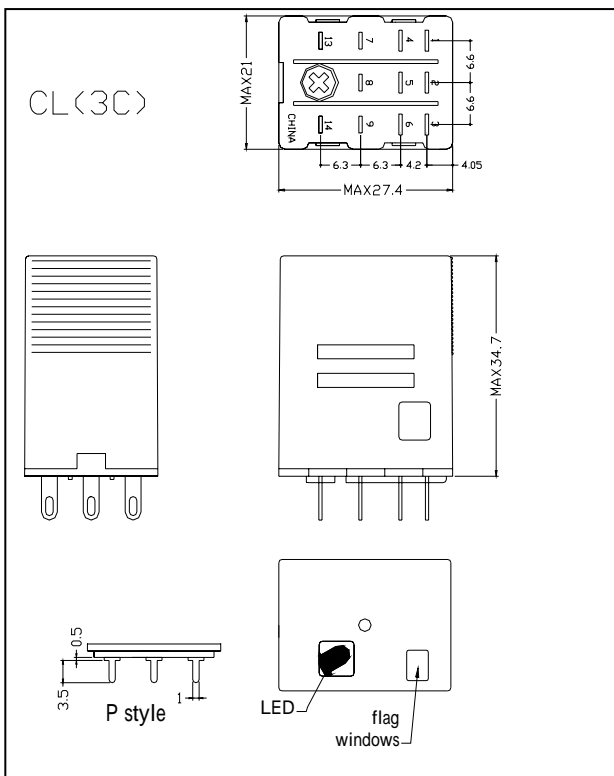
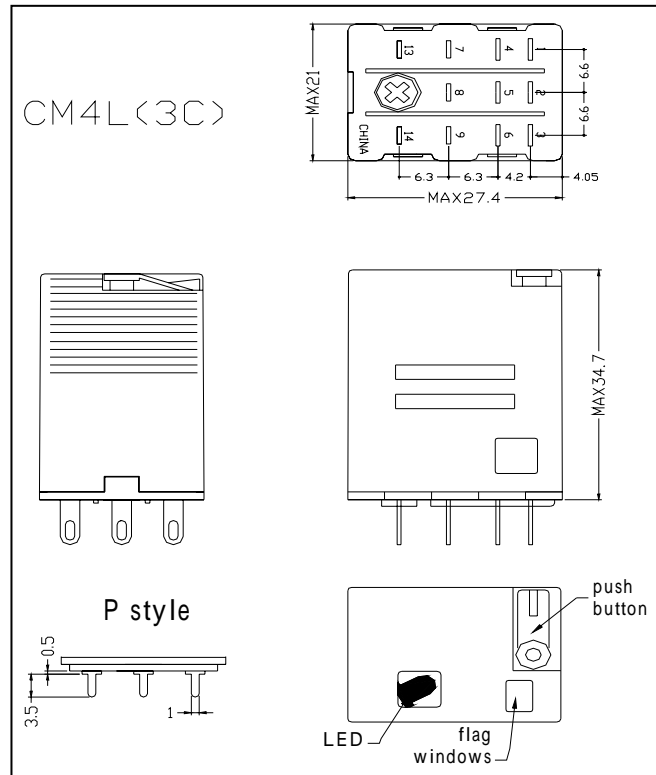
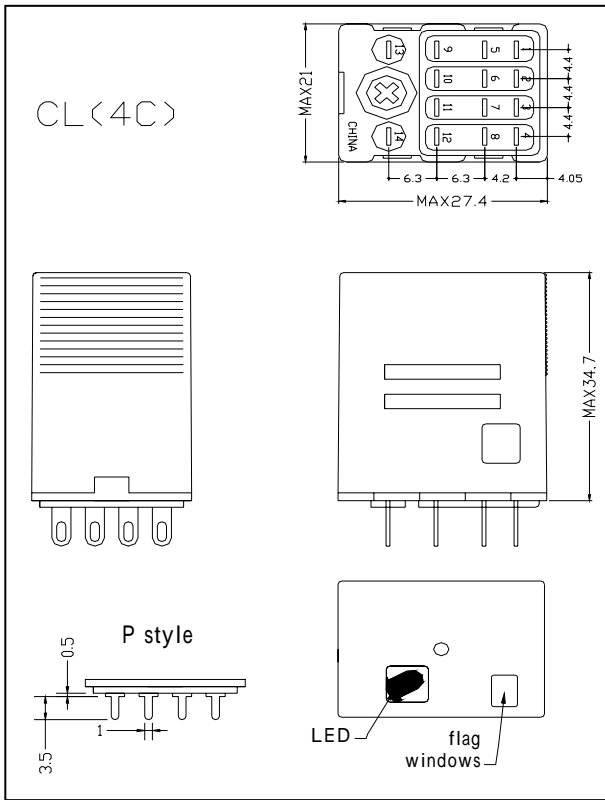
Temperature (operating)	-25 to +50 (AC); -25 to +55 (DC)
Mechanical life	10,000,000 Operations
Electrical life	100,000 Operations
Contact material	3A: Silver gold plated 5/10A: AgNI10 gold flashed
Weight (approx.)	35g

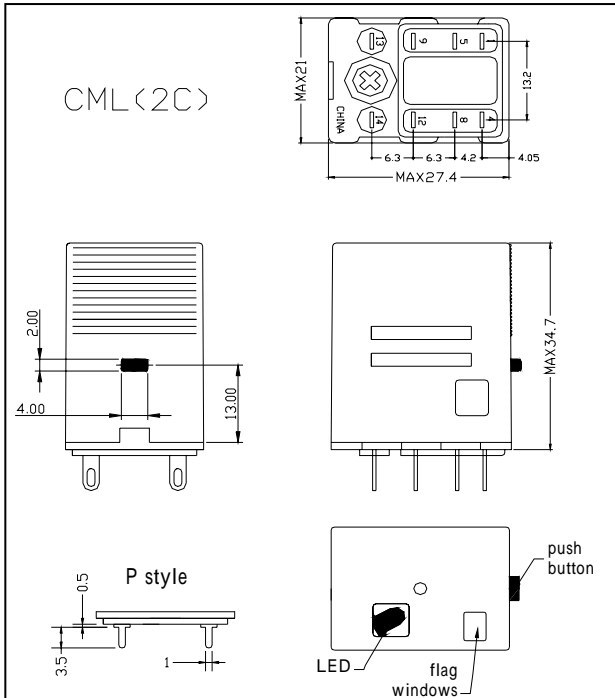
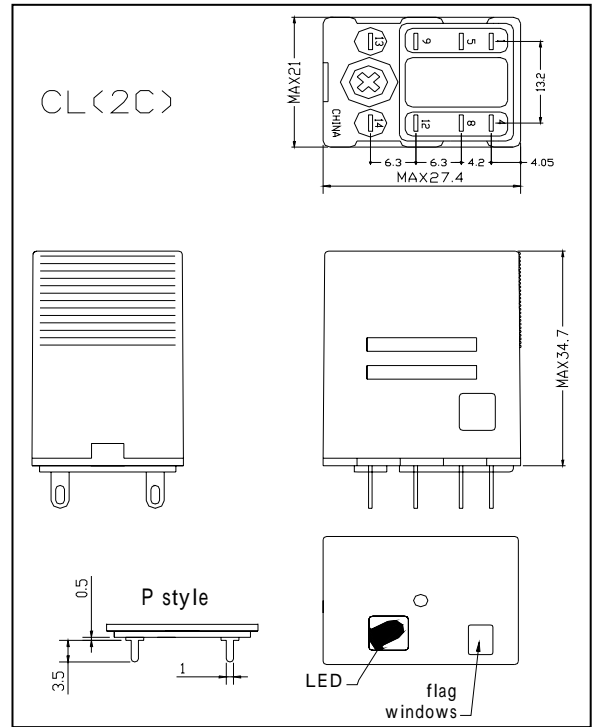
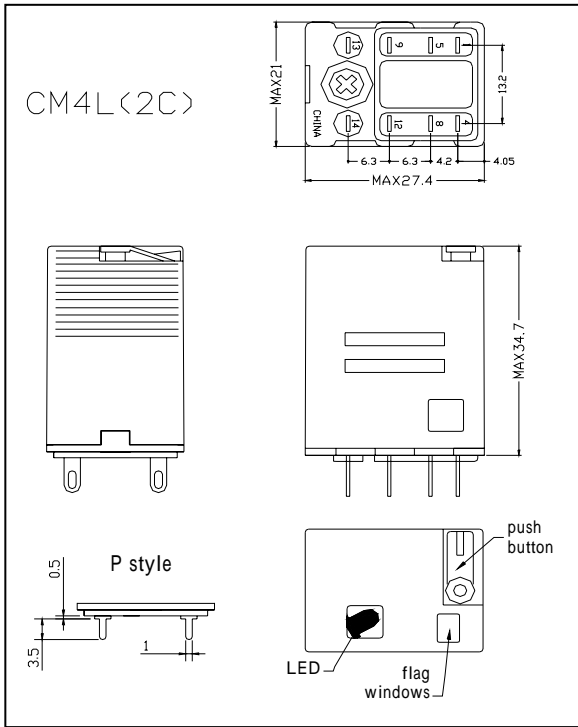
Wire diagrams



RELAYS & COMPONENTS

BMY5





⇒ How to order

BM Y5-3C B - S -C M4L- 12 VAC

